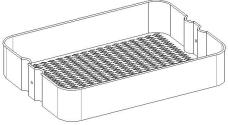
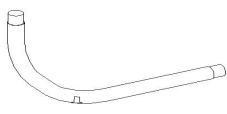
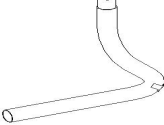
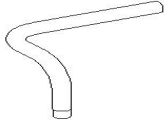
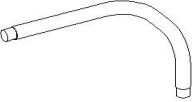


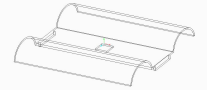
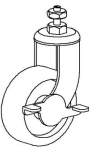
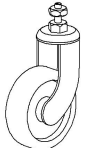





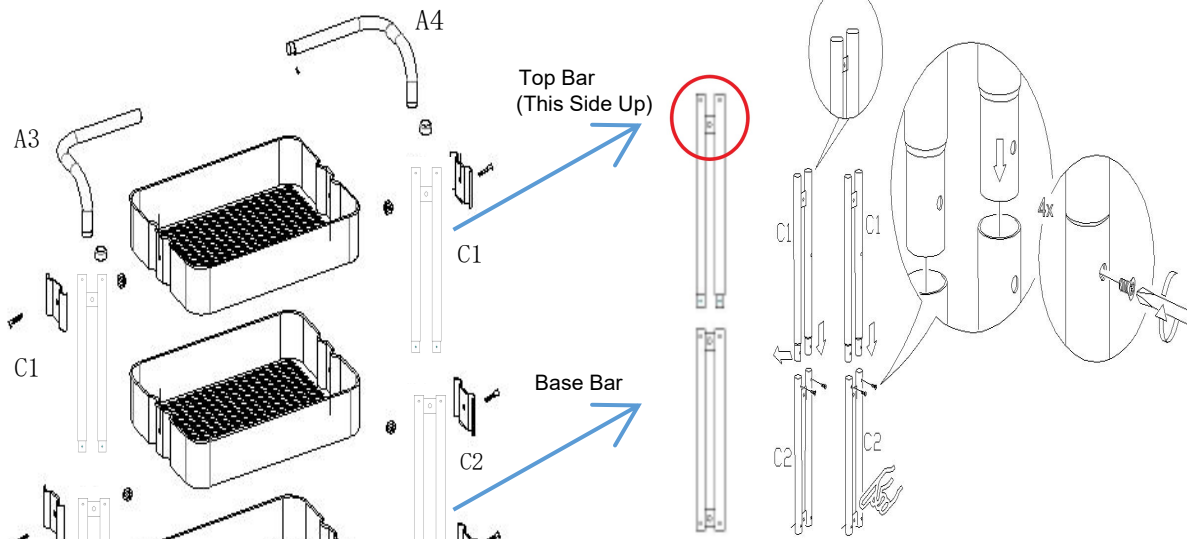


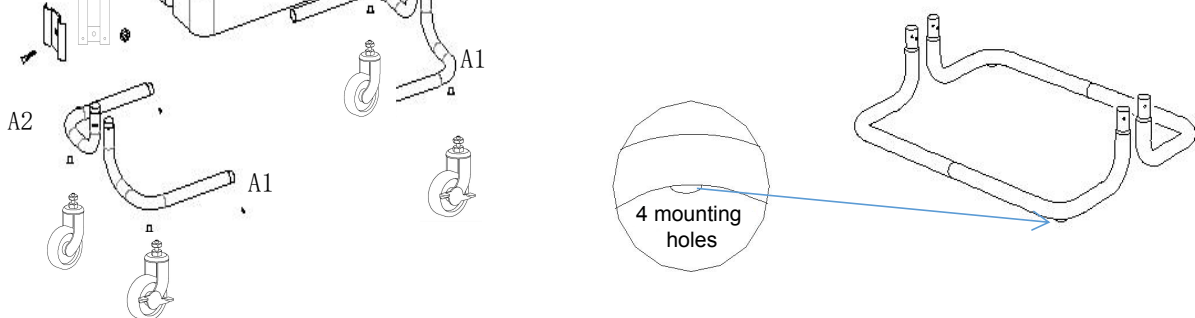
INSTRUCTION

 x3	 A1x2	 A2x2	 A3x1
 A4x1	Top Bar  C1x2	Base Bar  C2x2	 x6
 x2	 x2	 x6	 x6
 x13	 x1	 x1	

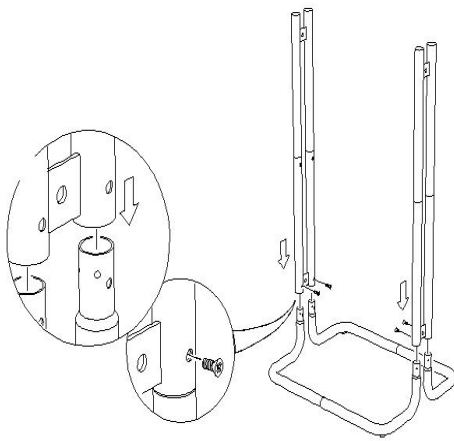
Step 1



Step 2

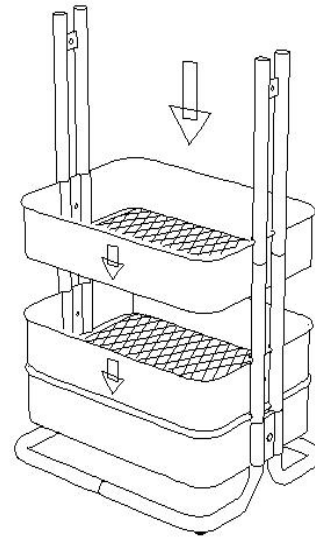


Step 3

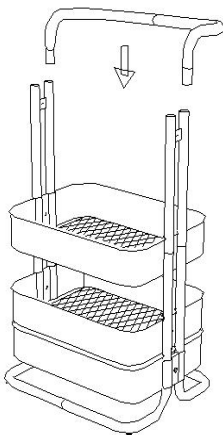


Step 4*

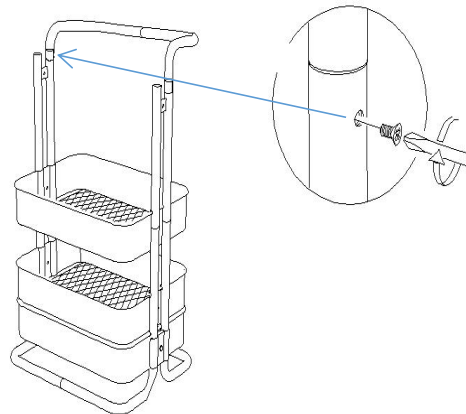
*Note: All shelves should be level. If they do not appear level, check that bars are right side up.



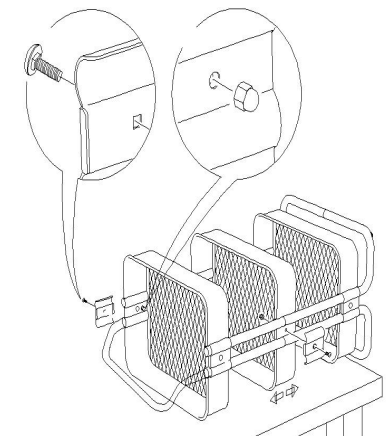
Step 5



Step 6

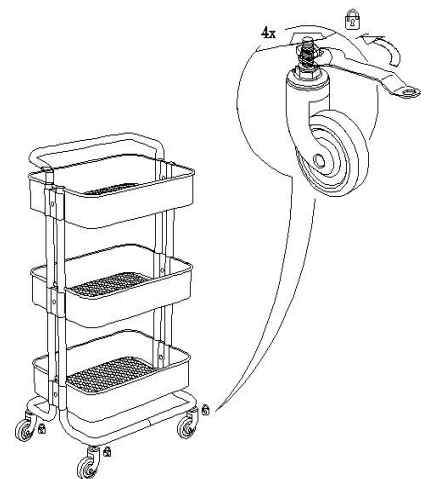


Step 7



Step 8*

*Note: When assembled, if trolley does not feel level, adjust height by tightening nut used to screw wheels into place.



NOTE: Shelves can be secured at any height above brackets. To ensure stable construction of the shelves, the screws are to be fastened tightly. For maximum quality, re-tighten the screws when necessary.