

montmarte[®]

MEA0031

Convertible Studio Easel



User Manual
**Assembly Required*

Description...

BEECH WOOD

Width: 62cm

Length: 71cm

Height: 137cm - 223cm

Holds Canvas: Up to 152cm

English

<http://www.montmarte.net>

View an instruction video at www.montmarte.tv

CONTENTS

ASSEMBLY REQUIRED

3 x Pieces of Wooden Easel Parts	2
4 x Bags of Screws & Bolts	2
1 x 4 Page User Manual	2

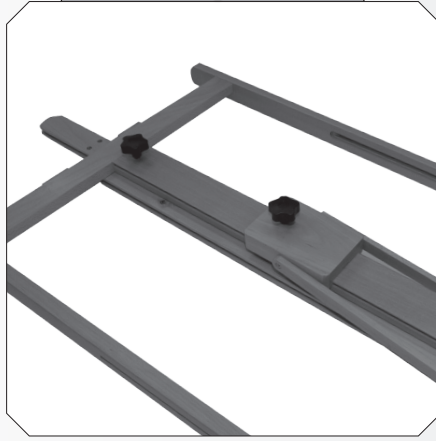


Step 1.



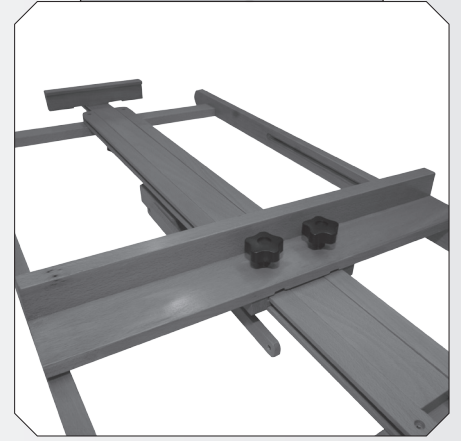
Adjust leg support frame (part #1) to standing position.

Step 2.



With easel mast frame (part #3) facing down add 2 black plastic handle screws (**Bag A**) - one to each of the mast guide and to the top support bar of the easel mast frame.

Step 3.



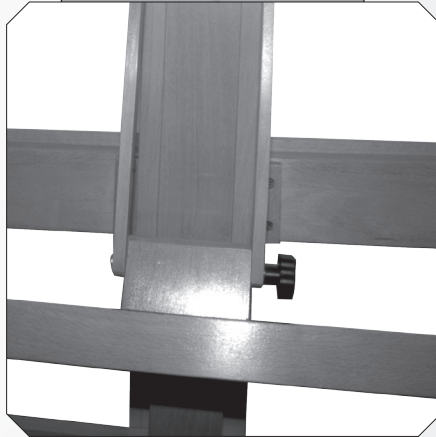
Turn over easel mast frame (part #3) to attach canvas tray (part #2) using **Bag B** (2 black plastic handle screws). Once the canvas tray is attached slide off the mast and turn it over. Re-insert the mast ensuring that the top canvas holder is facing the same way as the tray.

Step 4.



Attach easel mast frame (part #3) to leg support frame (part #1) by using **Bag C**. Ensure that the rectangular plate is placed on the inside of the frame within the groove.

Step 5.



Using **Bag D** attach both timber pieces from mast guide (part #3) to leg support frame (part #1).

mont marte[®]

Go to **www.montmarte.net** to view
FREE video lessons and demos.

Join Mont Marte Creative Connection to
get loads of regular **FREE** tips and hints.



YouTube

